

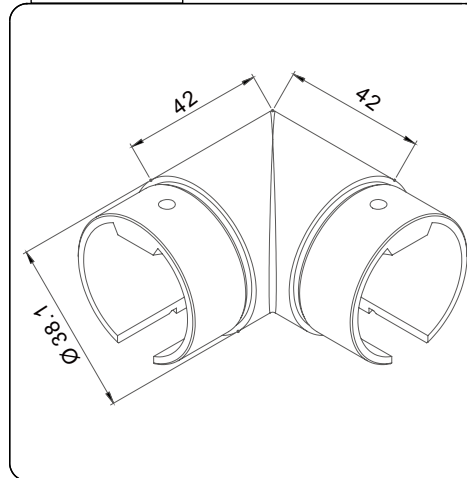
Drawing ID

90J-TR38

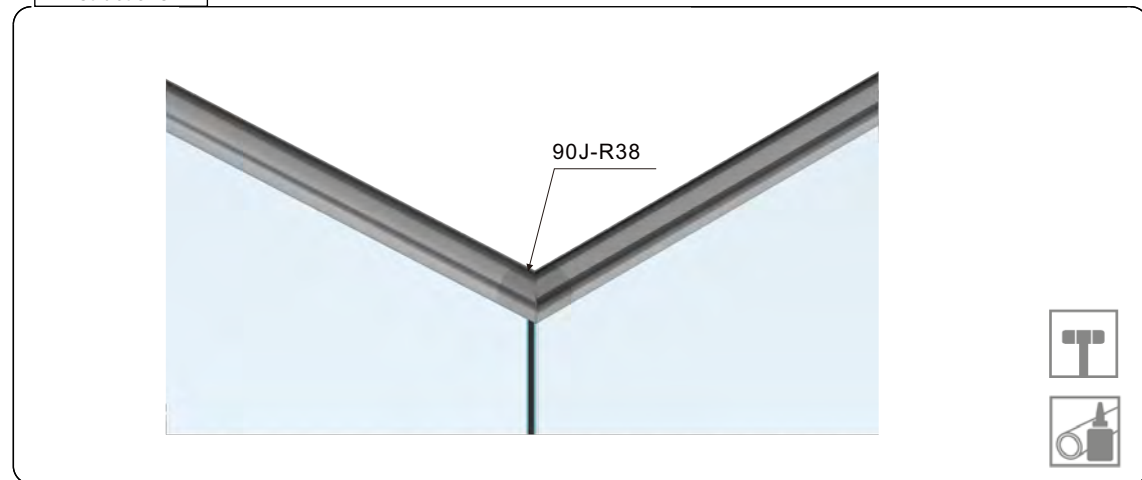
Product Info.

Finish	Code
Polish	90J-TR38M-H
Satin	90J-TR38S-H
Texture Black	90J-TR38B-H
White	90J-TR38W-H
Brush Brass	90J-TR38BB-H

Dimensions



Instructions



MATERIAL:

316 Stainless Steel

CATALOGUE AND DESCRIPTION:

- > Railing Systems
- > Handrail & Fittings -Ø38 Round Series
- > 90° Horizontal Corner Joiner for Ø38.1mm Round Top Rail

NOTES:

This drawing and or specification is the property of Silver Stone Hardware Pty Ltd - and must be returned to them on request. Unauthorised use may result in Legal Action. Its contents must not be made public, nor copied, nor used directly or indirectly in any way.

SILVER STONE HARDWARE PTYLID

56-62 Bryant Street, Padstow, NSW 2211
 T: (02) 9792 2955 M: 0452 526 680
www.silverstonehardware.com.au
sales@silverstonehardware.com.au